

diamond

**Air-cool-Junior (60L)
Portable Misting Fan**



 **TANONG**

Table of Contents

1. GENERAL INFORMATION.....	1
2. SPECIFICATION.....	2
2.1 Dimensions.....	3
2.2 Parts Diagram	4
3. Operation Instructions	5
3.1 Safety Instructions.....	5
3.2 WARNING.....	6
3.3 CAUTION	6
3.4 CAUTION	7
4. Preparation before Operation	8
5. Operation.....	10
5.1 Control Panel.....	10
5.2 Operation Method.....	11
5.3 Operation of the Fan	12
5.4 Storage	13
6. Trouble Shooting.....	14
7. Maintenance.....	15
7.1 PERIODIC INSPECTION ITEMS	15
7.2 Pump Maintenance	16
7.3 Inspection of Electrical Device	17
7.4 Inspection of Pipe Accessories.....	17
7.5 Filter Inspection.....	17
7.6 Handling the Cleaning Nozzles :	17
7.7 Sintered Filter Cleaning.....	18
7.8 Pump Component Replacement.....	18
7.9 Long Term Storage	19
7.10 The time to change oil and attention	20
Table 1: Oil Changing Interval (hours or months).....	22
Table 2 : 【Oil selection】	23
8. Warranty	25

1. GENERAL INFORMATION

This manual provides you with the information for proper use and maintenance of the misting pump. Please, carefully follow the instructions provided. The manufacturer / supplier is not liable for any damage to people or goods, or to the system itself, if the equipment is used differently from as described in this manual.

This manual is provided to the user / technician for correct use of the misting pump. Information provided in this manual does not replace regulations on safety at work currently in force. Therefore, the user should comply with the regulations in the country where the pump is installed, as well as following common sense rules.


Do not use the product if you notice any defect or wear that may compromise the original safety standards. The user or the maintenance technician must report any fault to the supplier. The machine is meant for specific applications. Do not modify and /or use it for applications other than the specified ones.

Instructions, drawings, tables and all the contents of this document are confidential technical documentation and are the exclusive property of **TANONG Precision Technology Co. Ltd.** No information may be released to third parties without written permission by **TANONG Precision Technology Co. Ltd.** Descriptions and images in this document are meant as indications and practical examples. They may be modified at any time and without prior notice. If further technical and functional details are needed, please contact the manufacturer / supplier.

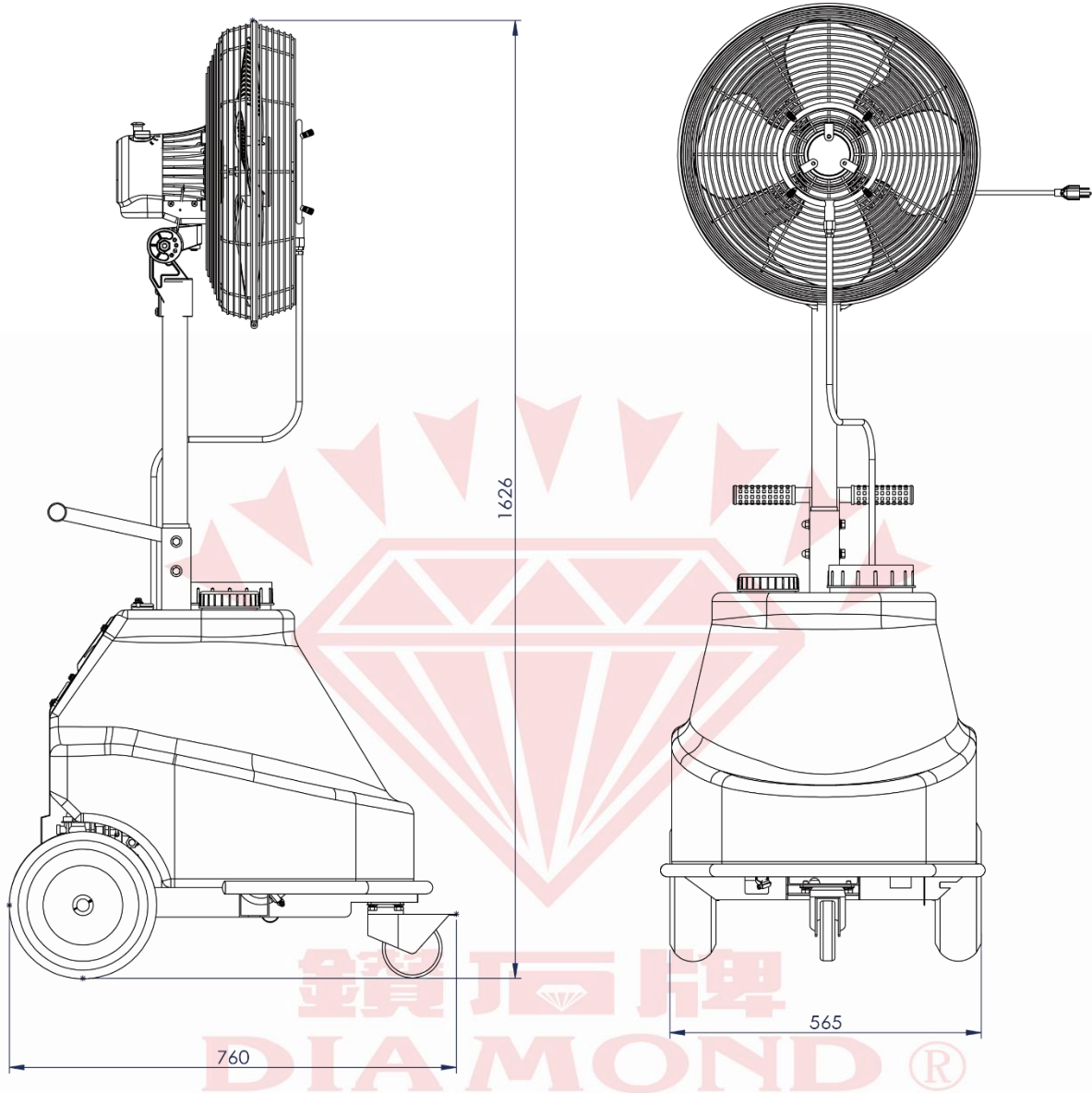
IMPORTANT

- Please, read the information contained in this booklet since they will provide you with the information and instructions required for safe installation, use and maintenance.
- The manufacturer is not liable for any damage to people or goods, or to the machine itself, if the pump is used differently from that described in this manual.
- Keep this booklet in a safe place and make it available for future reference.
- On delivery, check for any possible damages due to transport.

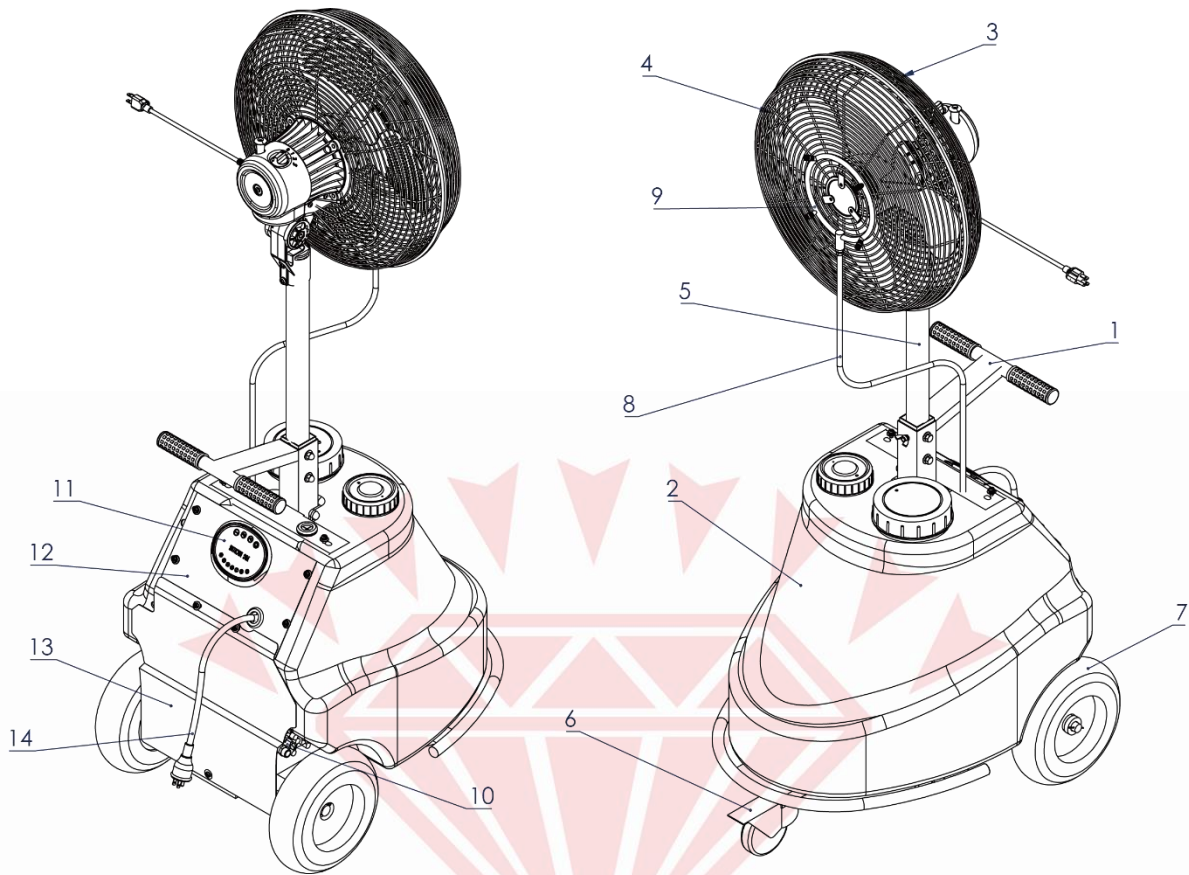
2. SPECIFICATION

MODEL	Air-Cool 60L-Junior Portable Misting Fan
OPERATING PRESSURE	725 Psi 50 kgf / cm ²
SUCTION VOLUME	0.5 L/min (1050rpm)
MOTOR	Total Enclosed Single Phase 110V/220 V 50/60 Hz
FAN RPM	1390(50Hz) / 1605(60Hz)
FAN MOTOR	Total Enclosed, Single Phase, 4P 110/220 V 50/60Hz
DIMENSIONS L xW xH	760 x565 x1626 mm
WEIGHT	36.5 kg
ACCESSORIES	<ul style="list-style-type: none"> • Automatic Power-Off with Drought Switch Sensor • Water Tank (Capacity : 50L, Maximum. 62L) • 5-hole fog ring • 5 Misting nozzles
OTHER FEATURES	<ul style="list-style-type: none"> • The removable fan makes it very convenient when transit this machine. • Stainless steel front and rear mesh with double layers of painting offer excellent rustproofing. • An enhanced swivel caster with brake provides for convenience and liability. • Four misting modes are available to meet varied usages. • Fog ring with quick coupling makes it easy to assemble/disassemble fan. • A security lock can be easily installed on tank cover to avoid any foreign objects. (optional)
REMARK	<div style="background-color: red; color: white; padding: 2px; display: inline-block;"> DANGER</div> DO NOT USE THIS MACHINE IN RAINY DAY

2.1 Dimensions



2.2 Parts Diagram



NO.	Parts	NO.	Parts
1	FRAM BRACKET	8	HIGH PRESSURE HOSE
2	WATER TANK	9	FOG RING
3	FAN	10	PUMP
4	STAINLAESS STEEL FRONT MESH	11	CONTROL PANEL
5	FAN SUPPORT TUBE	12	UPPER LID
6	4" CASTER	13	BACK LID
7	10" REAR WHEEL	14	POWER CORD

3. Operation Instructions

⚠ DANGER

It indicates that an unfair use can cause possible death or sustain serious injury.

⚠ WARNING

It indicates that an unfair use may highly cause possible death or sustain serious injury.

⚠ CAUTION

It indicates that an unfair use may highly wound the user and/or damage the product, also is possible to bring out an unpredictable event.

3.1 Safety Instructions

⚠ DANGER

- 2.1.1 If any malfunctions happen, stop using this machine immediately.
- 2.1.2 Never insert fingers or any other objects through the guard mesh when fan is in operation.
- 2.1.3 Do not use this machine under rain or thunder. There will be the risk of fire or electrical shock.
- 2.1.4 Be sure the electrical plug is removed from the electrical socket before attempting any cleaning or maintenance. Fail to do so may cause electric shock.
- 2.1.5 Any electrical maintenance out must be done by a specialized technician, a qualified electrician, who is professionally qualified and trained for the inspection, installation and repair of electrical equipment.
- 2.1.6 Check cables, plug, contacts, and ground connection before operation. Do not run the machine if there is any part loose or damaged.
- 2.1.7 The machine must be out of reach for children. In order to avoid accidents, be sure that there won't be anyone approaching this machine within 1 meter of radius from it during operation.
- 2.1.8 Do not pull hard, roll up and stamp on the electric wire.
- 2.1.9 All parts are designed for high pressure. If any part damaged, please replace it with the parts from original manufacturer.

3.2 WARNING

WARNING

- 3.2.1 Connect the machine with correct electric specification (Frequency, Voltage and Current) as instructed.
- 3.2.2 Never run the machine without water.
- 3.2.3 Please always follow the periodic inspection items and daily maintenance instructions. Fail to do so may cause abnormal conditions and damage the machine.
- 3.2.4 Check cables, plug and ground connection before operation. Do not run the machine if there is any part loose or damaged.
- 3.2.5 This pump is rated for a maximum operating pressure of 725 psi (50kg/cm²).

3.3 CAUTION

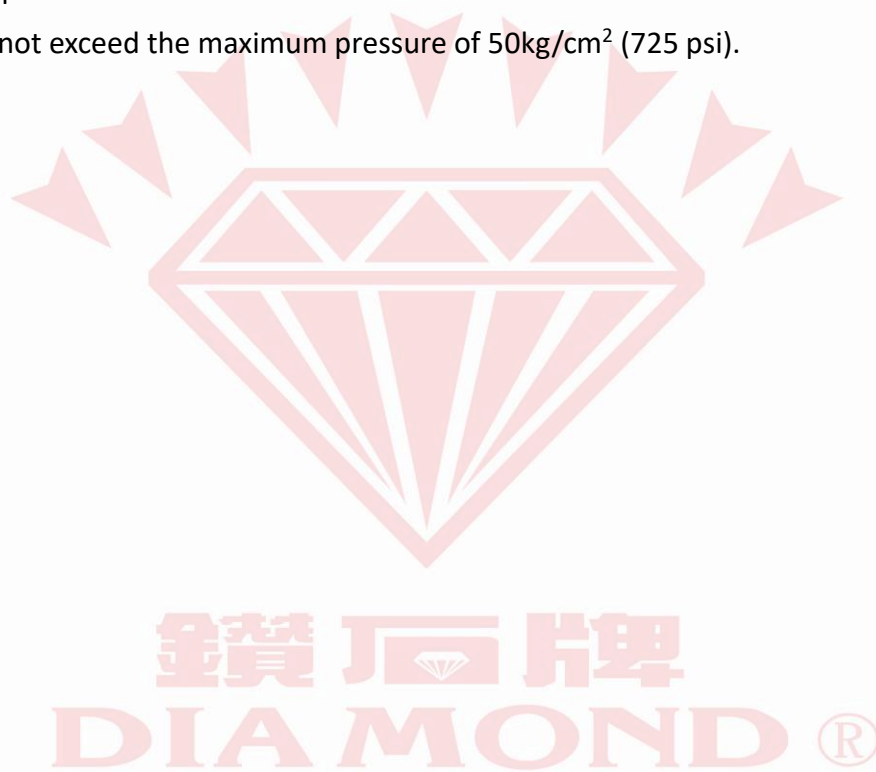
CAUTION

- 3.3.1 The water temperature for the machine is recommended between 5°C ~ 40°C.
- 3.3.2 Please turn off and unplug the machine in case the power goes off during operation.
- 3.3.3 Usually, water will be sucked into the pump when motor starts after 10 seconds. If there is no water into the machine for over 20 seconds, please stop the machine and check it.
- 3.3.4 Do not attempt to change the oil or perform maintenance while the unit is plugged in and always allow the pump and motor to cool before performing the oil change.
- 3.3.5 Please always follow the periodic inspection items and daily maintenance instructions. Fail to do so may cause abnormal conditions and damage the machine.
- 3.3.6 For hygienic purposes, please use filtered tap water. Do not pump the following liquids into the pump:
 - a. Unfiltered water or with impurities.
 - b. Storage water in the tank for long time.
 - c. River water, industrial water or sea water.
 - d. Water containing detergent solutions or water mixed oil or chemicals.
- 3.3.7 Always use tap water connecting with inlet to fill water tank. It's the last choice to directly pour water from the water tank.
- 3.3.8 When connecting the hose of tap water to the inlet, use the water with upward volume 100 L/min, pressure below 0.5 MPa.
- 3.3.9 Regularly clean the water tank.
- 3.3.10 The orifice of misting nozzle is very fine. If impurities or trash choke the hole, it may cause damages to the machine. Do not let impurities or trash get into the pump, especially when the outlet hose has been disconnected.

3.4 CAUTION

CAUTION

- 3.4.1 Check if all screws have been tightened before operation.
- 3.4.2 Please check whether lubrication oil inside the pump is sufficient or not and do not overfill the oil.
- 3.4.3 Please wipe out oil if spilled.
- 3.4.4 Make sure there won't be anything approaching this machine within 1 meter of radius during operation.
- 3.4.5 Keep it out from fire at all time.
- 3.4.6 Do not exceed the maximum pressure of 50kg/cm² (725 psi).



4. Preparation before Operation

- 4.1 Must keep tight between bracket and hook before crane up the machine.
- 4.2 Prior to moving, relocation, lifting the machine. Make sure there's no water left inside the water tank. The residual water will cause the machine out of balance, and even cause damage to water tank and the machine.
- 4.3 Do not lift up the machine via rope tied only through fan or extension tube. Rope tension and vibration can cause damage to the machine.
- 4.4 When transfer the machine :
 - a. Please remove the fan and extension tube. Failure to remove the case, wind pressure may cause the fan blade damage.
 - b. Remove the nozzles from fog ring to avoid the collision impairment.
- 4.5 Do not turn on the machine when the plastic bag still covered.
- 4.6 Before using this machine, please connect all pipes and hoses. Connect pile of tap-water and water inlet joint. Connect quick coupler of water outlet hose with inlet of this machine. Connect high pressure hose with high pressure water outlet.
- 4.7 Make sure the pump has been filled with sufficient oil. Fill crankcase with **hydraulic oil 150 ml** per pump specifications. **(Suggest using ISO VG 68 oil, oil level have to reach at least SAE GEAR 80W90).**

DANGER

- Ensure plug is connected with power supply safely. Connect the grounding wire. Failing to do so may cause electric shock.
- Do not pull hard, roll up and stamp on the electric wire.
- Do not splash water to the electrical part.
- Do not touch the electrical part with wet hands.
- During conducting electric wiring, please switch off the electric breaker, and turn off the machine at same time.
- For safety purpose, please avoid bare wires.

⚠ CAUTION

- With a generator motor for power supply, if there is not enough electric capacity, it will cause a voltage drop, damaging electromagnetic switch, making rpm of motor drop, and may force the motor burn out.
- Please refer to following measure for capacity of generators:

Output Power	Frequency	Reference Capacity
200~480 kw	50 Hz /60 Hz	2.0 kVA above

⚠ CAUTION

- If using smaller electric wire, it will cause voltage drop, failure to start, lower revolution, and other serious breakdown. Please note the following reference.

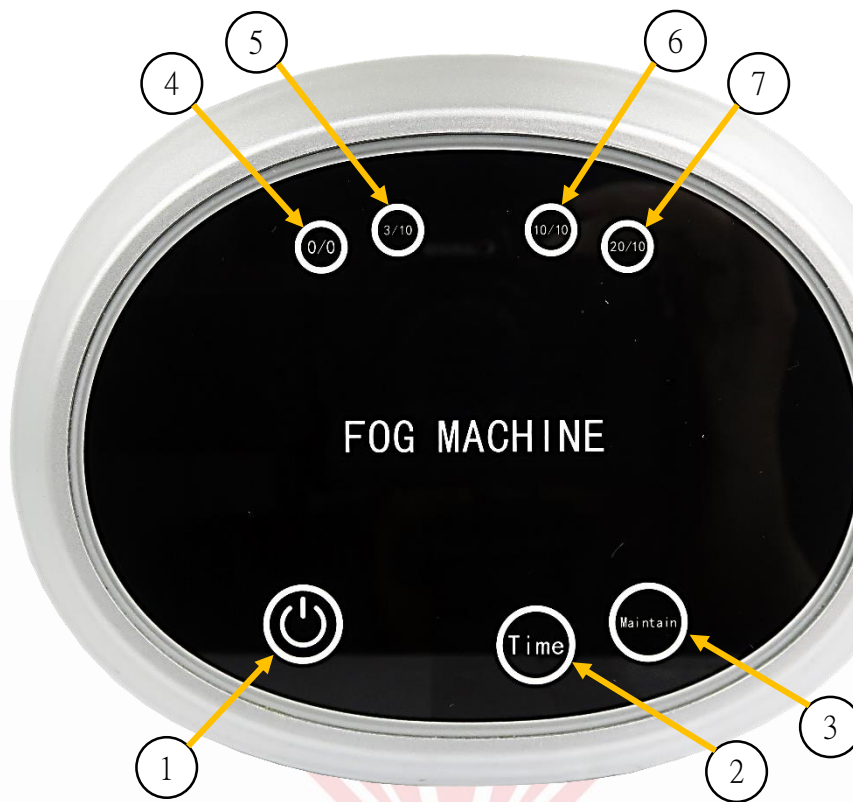
Motor Output Power	Rated Current	Electric Wire with Machine	Length Extension Cord
150 kw	12 A	3C 2.0mm ² ×2mm	3C 3.5mm ² (within 32m)

- Extension leads are not allowed to exceed 32m from the electric breaker to the machine. Otherwise, potential voltage drop will damage the motor.



5. Operation

5.1 Control Panel



NO.	Description	
①	ON/OFF	Power switch
②	TIME	Switch time mode
③	MAINTAIN	Anomaly detection
④	MODE 1	Continuous misting
⑤	MODE 2	Misting: 3 sec. / Stop: 10 sec.
⑥	MODE 3	Misting: 10 sec. / Stop: 10 sec.
⑦	MODE 4	Misting: 20 sec. / Stop: 10 sec.

5.2 Operation Method

5.2.1 Continuous Misting:

- a. Press ON/OFF button to start operation.
- b. The machine keeps continuous operation unless press ON/OFF button.

5.2.2 Intermittent Misting :

- a. Repeated run and stop; in a certain period of time.
- b. Press Time button to choose the misting mode, the machine will start intermittent misting.
- c. Open evacuation valve in counterclockwise direction and press ON/OFF button. There is water flowering from evacuation valve after the motor being generated. The nozzle will have fog out. If only less fog, please follow the above steps again.
- d. After a long period of unused, please follow the above steps to let impurities within the piping system to be washed away.
- e. Do not adjust the operating pressure over appointed range 725psi (50kgf/m²).

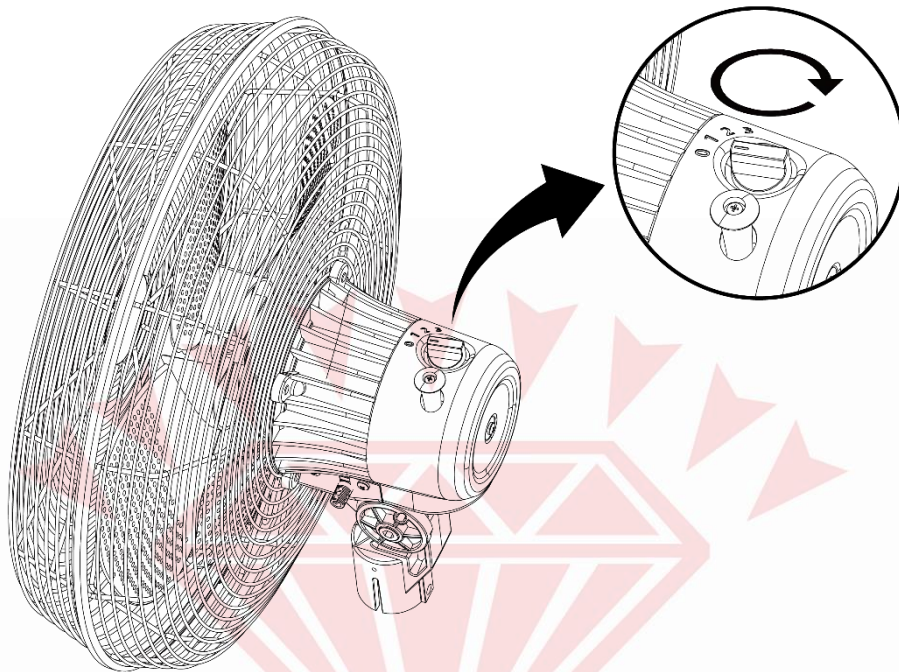
5.2.3 Drought switch protection

- a. When the water tank is empty, the motor will stop. At this time, the blue indicator light will flash repeatedly.
- b. The circuit will stop after pressing the ON/OFF button. Then refill water from inlet.
- c. After finishing water refilling, press the ON/OFF button again and the fan will resume the operation.

鑽石牌
DIAMOND®

5.3 Operation of the Fan

- Turn the fan speed knob clockwise from 0 (stop) the fan will start. The fan speed adjustable as 1 (slow) → 2 (medium) → 3 (fast).



- 5.3.1 If exposed to rain, please stop the machine and remove plug to avoid electric shock or leakage.
- 5.3.2 Please keep your fingers from the front and back side of grille. Do not operate the machine if the grille is dismantled. It may cause injuries.
- 5.3.3 If the fan is not mounted on the frame bracket firmly, do not operate the machine. The fan may drop down and hurt the user or damage the machine.
- 5.3.4 The fan height must be out of reach of children.
- 5.3.5 When removing the fan, do not release the fan height adjustment screw to avoid sudden pipe ejection.

5.4 Storage

- 5.4.1 Press ON/OFF button, then the machine will shut down.
- 5.4.2 Turn the fan speed knob back to “0”, the fan blade will stop rotating.
- 5.4.3 Remove the tap-water.
- 5.4.4 Remove the blue cap of filter, empty the water inside and clean the filter.
- 5.4.5 Empty water tank completely. Unscrew drain gap at the bottom of water tank and drain water from tank.



- 5.4.6 When it may cause water freeze in storage place, please follow the steps below to drain water from pump.
 - a. Please drain off the water and remove the 2 terminals of float switch. Keep the terminals away from the metal parts of the machine.
 - b. It will start to drain the water after pressing ON/OFF button. If water cannot be drained off from the unit, please press ON/OFF button to protect the pump from running without water.
 - c. Assemble the terminals.

CAUTION

- If the machine is loaded on a moving vehicle, please remove the fan and extension tube because wind pressure may cause the fan blade damage.
- When the machine is not in use, please keep it indoors.
- If exposed to rain, please stop the machine and remove plug to avoid electric shock or leakage.

CAUTION

- Take care when taking apart the pressure hose, water pipe and filter because there may be still pressure (**5kgf/cm²**) inside. The water inside the system may spray out.
- Do not use this machine when temperature is below 0°C. Running pump with ice in the hose or pump will cause damage to the pump.

6. Trouble Shooting

FAULT	CAUSE	REMEDY
No mist come out of nozzle	<ul style="list-style-type: none"> • The misting nozzle get blocked. • Air exist in the pipe line. • Air get into the pump. • The valves worn out or the pump is clogged with rubbish. • Misting nozzle worn out. 	<ul style="list-style-type: none"> • Clean the nozzle. If it doesn't work, change the nozzle. • Let go the air. • Tighten all joints connected to the water inlet. • Check or change the O-ring of all joints if necessary. • Change or clean the valves, then reset the pump. • Change misting nozzle.
The pump is fail to absorb water	<ul style="list-style-type: none"> • No water supply • The valves worn out or the pump is clogged with rubbish. • Air get into the pump. • The water filters is blocked. • The seals or packings inside the pump worn out. 	<ul style="list-style-type: none"> • Turn on the water faucet. • Change or clean the valves, then reset the pump. • Tighten all joints connected to the water inlet. • Check or change the O-ring of all joints if necessary. • Clean the water filters. • Replace the worn out seals or packings.
Unstable output pressure	<ul style="list-style-type: none"> • The pump's regulator worn out or get stuck. • The pump's valves worn out. • The seals or packings inside the pump worn out 	<ul style="list-style-type: none"> • Dismantle the regulator, clean and/or change related parts if necessary. • Change valves. • Replace the worn out seals or packings.
Abnormal noise or vibration	<ul style="list-style-type: none"> • The lubrication ability from oil is insufficient. • Water pipe and nozzle circuit get blocked. • Water supply (include inlet pressure) is abnormal. 	<ul style="list-style-type: none"> • Add or change oil. • Clean or change nozzle and/or water pipes. • Check water supply line, clean or reset it.
Oil or water leaks	<ul style="list-style-type: none"> • The seals or packings inside the pump worn out or are damaged. 	<ul style="list-style-type: none"> • Replace the worn out or damaged seals or packings.
Abnormal control panel	<ul style="list-style-type: none"> • Control panel damaged. 	<ul style="list-style-type: none"> • Change the control panel or contact the local distributor.
Motor cannot run	<ul style="list-style-type: none"> • The voltage of the power supply is not stable. • The wire extend too long, and cause voltage and current drop. • The built-in thermos switch activates to protect the motor. • The setting of the control panel restrains the motor. 	<ul style="list-style-type: none"> • Apply a constant voltage regulator and/or shorten the extension of the power cable. • Check the operating pressure is within a proper range. • Run the machine in a ventilation space. • Refer back to the manual and check all setting are correct.

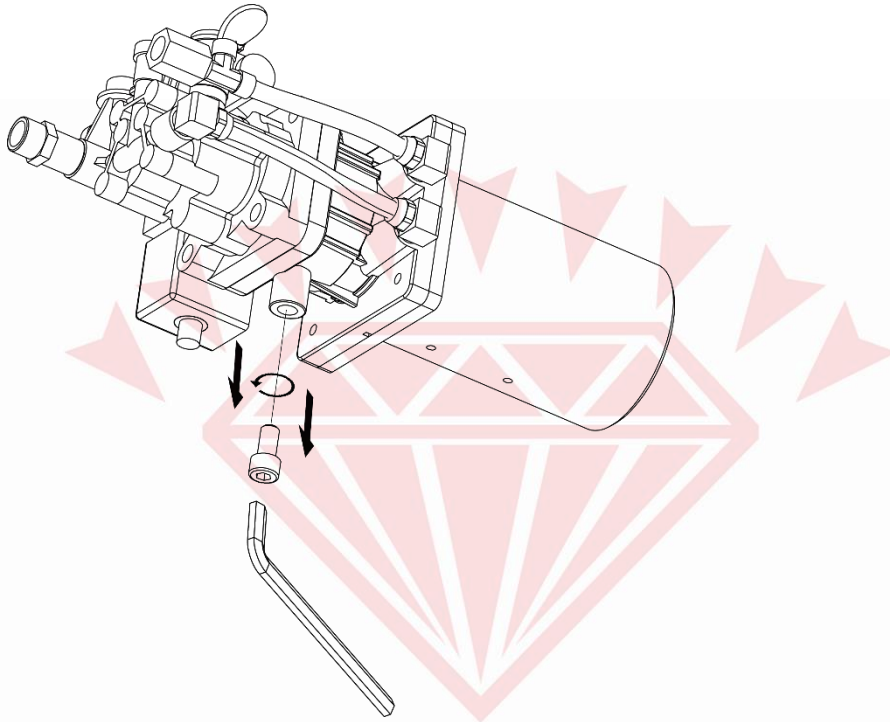
7. Maintenance

7.1 PERIODIC INSPECTION ITEMS

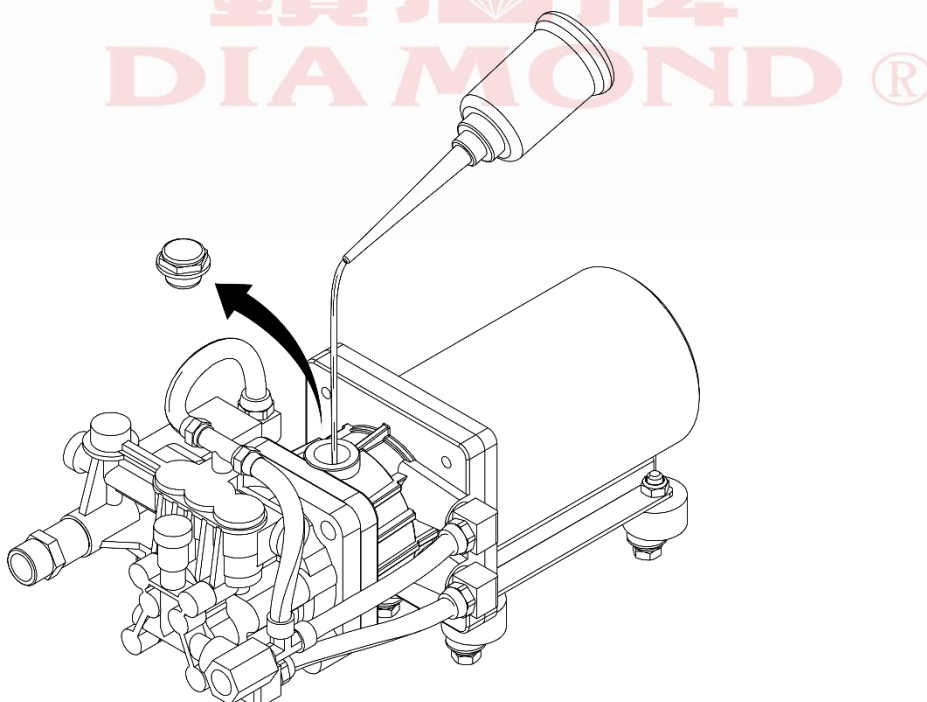
Items	Period				
	Before operation	50h	100h	200h	300h
Main Machine Structure					
Inspection of each clamping	◆				
Water Leak check	◆				
Oil leak check	◆				
Abnormal sound and vibration inspection	◆				
Inspection of damage, deformation on base & cover	◆				
Broken and dirt with important label	◆				
High Pressure Hose					
Check the water hoses and packing	◆				
Check and clean water filter	◆				
Check high pressure hose, quick coupling and all seals	◆				
Check the all the high pressure hoses between the water tank and the pump	◆				
Electric Wire					
Check if any damage on the outside of the wire	◆				
Check if there is any wire loose	◆				
High pressure Pump					
Check and clean the unloader valve			◆		
Check oil	◆				
Change oil		◆ (only for the first time)			◆
Check evacuation valve					◆●
Change the sintered filter				◆	
Check the oil seals					◆●
Check the Plungers					◆●
Motor					
Check the isolation on the motor					◆●
<ul style="list-style-type: none"> ■ All the Power of the machine must be turn off before any checking. ■ Above mentioned time is refers to general standard inspection not the durable time. ■ According to the different exploitation conditions, there is a possibility of checking ahead of time period. ■ The mark of ● inspecting item needs specialized technology and the specialized tool, please kindly contact the store you brought from. 					

7.2 Pump Maintenance

- 7.2.1 Oil must be changed after first 50 hour operation, and then be changed every 250~300 hour running. Use hydraulic oil VG68 or equivalent. The oil capacity is around 150 ml. (**Suggest using ISO VG 68 oil, oil level have to reach at least SAE GEAR 80W90**).
- 7.2.2 Disconnect power first to prevent electric shock.
- 7.2.3 Remove the drain screw to drain the oil.



- 7.2.4 Be sure to check area near vent hole, and ensure that there is no oil leakage at the bottom.



7.3 Inspection of Electrical Device

- 7.3.1 Check if there is any loose of electrical wiring, plug, terminals, and other parts.
- 7.3.2 Do not splash water to electromagnetic switch, motor, plug and etc. Keep the machine dry and check insulation resistance.
- 7.3.3 When the motor is hygroscopic, check over the value of insulation.
- 7.3.4 The motor is required 1MΩ or more for 1 minute at 40°C while motor is at 500 VDC.
- 7.3.5 Lower the continuous rated current at low condition when motor is loaded. If at high current, install pressure gauge to the water outlet and lower the pressure to the indicated range.

7.4 Inspection of Pipe Accessories

Check carefully if there is any leaking, damage, and wear for pressure hoses, suction hose, electric wires, nozzles, overflow hoses, etc. If something is wrong, please immediately contact the supplier for repair or replacement part.

7.5 Filter Inspection

- 7.5.1 Check if there is any damage, cracked, broken or anything inside.
- 7.5.2 Exchange the filter element if it is damaged or broken. Clean the filter if there are any impurities in it.

CAUTION

- Please assemble the filter properly.

7.6 Handling the Cleaning Nozzles :

- 7.6.1 Fabricated by a special technique, the nozzles are the key elements to the high pressure misting system. It is essential that the nozzles operate perfectly in order to safeguard the correct operation of your high pressure system.
- 7.6.2 The orifice if the nozzles is very small, therefore subject to clogging by the particles in impure water. The filtration system helps to eliminate this problem. In the meantime, if the water is calcareous, a residue will form inside the nozzle and the quantity of the mist will be lowered.

⚠ CAUTION

The operations described below must only be carried out when the misting system is switched off.

- It is recommended to regularly clean the nozzles.



- To clean, detach the nozzles; disassemble into 4 parts as pictured above. Plunge into a scale dissolving solution (i.e. CM nozzle cleaner) for a minimum of 8 hours, rinse with clean water.
- If the mist is still uneven despite cleaning the nozzle, it must be replaced. The nozzle must be replaced with one identical to that which was originally installed.

⚠ CAUTION

- Do not use a metallic object to clean holes of nozzles.
- Forget to inset the pin-head may lead to spray high pressure water column when machine running and injure the body.
- In case of heavy drops from the tip of nozzles when stop the machine; please clean the valve of the nozzles.

7.7 Sintered Filter Cleaning

When there is no misting or after 200 hour running, please clean the sintered filter.

7.8 Pump Component Replacement

- 7.8.1 All repair or replacement of components must be completed by supplier's technician or a qualified technician.
- 7.8.2 Contact our customer service department for more information if needed.

7.9 Long Term Storage

7.9.1 Definition

If the machine has not been used at an interval of every 3 months, or it has never been used for 6 months from the date of shipment.

7.9.2 Influence

- a. It may cause parts deterioration under poor temperature and humidity conditions.
- b. Engine oil will be oxidized in contact with air or vapor and it may cause parts deterioration.
- c. Parts deformation may be occurred if long term storage without operation.
- d. It may also cause parts deterioration under other conditions such as sunlight, dust, radiation, packing and so on.

7.9.3 Conditions

- a. Temperature and humidity : Machine should be stored properly under 25°C and relative humidity 50%.
- b. Oil : Oil should be drained and rust prevention oil should be applied on the rotating parts every 3 months for long term storage.
- c. Seals : Rubber parts may deteriorated for environmental and time fact. It is suggested to change the seals if stored for more than 6 months.
- d. Cleaning : Keep away from vibration and dust and clean it periodically.
- e. Sunlight : Keep away from direct sunlight to avoid parts deterioration.
- f. Radiation : Keep away from radiation to avoid parts deterioration.
- g. Deformation : It is suggested to rotate the moving parts periodically.
- h. Packing : Keep away from moisture, vibration, dust and sunlight and repack the unit when doing periodical maintenance.

7.10 The time to change oil and attention

Question	Reason	Method
<p>The effect of oil selection, time of change and working environment on machine.</p>	<ul style="list-style-type: none"> For changing the oil, it should follow the regulation of using hour or regular interval. Overdue or expired will cause components damage because of lack of lubricity. 	<ul style="list-style-type: none"> Change oil regularly or whichever occurs first. (see Chapter 4.7)
	<ul style="list-style-type: none"> 1. Using improper or inferior quality oil (e.g. recycle oil) cannot achieve proper lubricant function and components protection. 2. If used oil is not drained completely whenever changing oil, the left impurities of used oil will be dissolved in new oil. That will accelerate the oil deterioration. 3. Please do not mix up with different group oil because their chemical composition and additives are different. Mixed oil could cause deterioration. 4. Please avoid using PAG oil. <ul style="list-style-type: none"> a. Most common rubber and plastics are closed to polarity that will be affected by PAG, led to swell or shrinkage. b. The paint will be eroded and then peeled off by PAG oil. c. Light metals (e.g. Aluminum alloy) will be eroded or cracked by PAG under the effect of stress. d. PAG oil is hydrophilic; thus, water cannot be filtered out by filtering system. 	<ul style="list-style-type: none"> 1.1 Please choose good quality oil sold from us or other qualified brands. Please avoid using inferior oil such as recycled oil. 2.1 Whenever the time of changing oil, please ensure the used one is as drained as possible for the quality of new oil. 3.1 For replacing oil with different group oil, the used one needs to be drained completely and then washing the oil tank with replaced oil before refill it. 4.1 Please avoid using PAG oil.

Question	Reason	Method
	<ol style="list-style-type: none"> The interval between the highest and the lowest temperature will directly affect the liquidity and lubricity of oil. Under wretched work environment (e.g. heat, stuffy, directly exposed under sunlight or rain, dusty, high humidity, bad air quality), the selection of oil and time of changing oil will directly affect the maintenance and lubricity of the machine. 	<ul style="list-style-type: none"> 1.1 Please select the oil with adequate viscosity according to workplace environment in order to have best lubricity and protection. (see Chapter 4.8) 2.1 The time of changing oil is based on regular operation. Operator should consider the affection of workplace, temperature and humidity for increasing or decreasing the interval of changing oil, and should also shorten the interval, depending on the condition of the liquidity, impurity, odor and deterioration.
<p>The effect of oil selection, time of change and working environment on machine.</p>	<ol style="list-style-type: none"> If the operator uses the machine under constant overpressure, it will lead to losing of oil lubricity rapidly. If the machine is left unused for long time or only used rarely. It will lead to oil deterioration by oxidation, or even cause internal components rusted. 	<ul style="list-style-type: none"> 1.1 If operational condition is strict such as operation in constant overpressure, then the interval of changing oil should be shortened. ✘ The performance of machine is limited. Overpressure operation will lead to component damage and then reduce life of machine. Please follow the instructions of pressure specification for the sake of long-term use. 2.1 Please change the oil regularly when the machine remains unused for long time. 2.2 If the machine needs to be used after long-term unused status, please check the internal components and also change oil. 2.3 If the components are rusty, please do not use it and return it to the manufacturer.

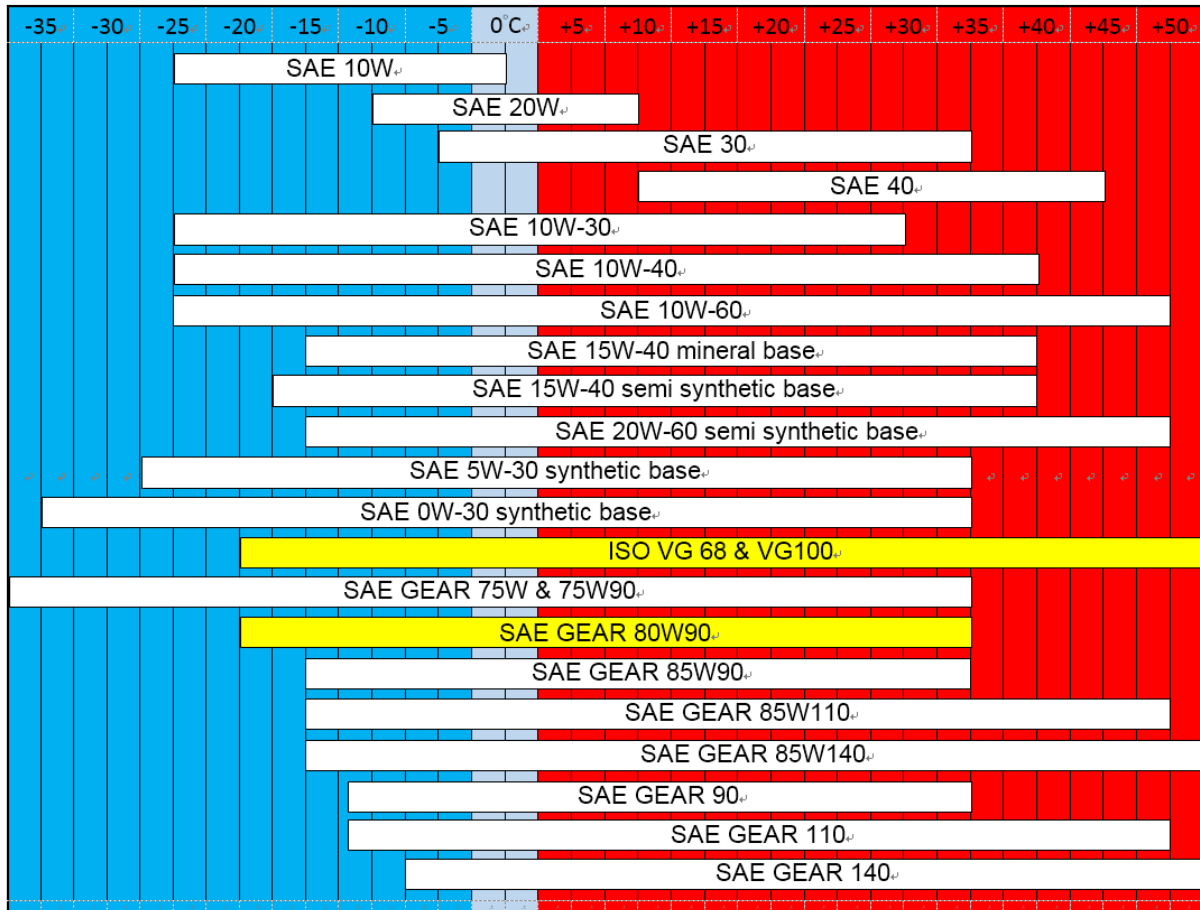
Table 1: Oil Changing Interval (hours or months)

Oil Type Interval Frequency	Above ISO VG 68 Mineral base	Above ISO VG 68 Semi synthetic base	Above ISO VG 68 synthetic base	Remark
First time use	50 hr. or 1 month	50 hr. or 1 month	50 hr. or 1 month	<ul style="list-style-type: none"> • First time use is for component running in period result in scraps. It is important to change oil.
Monthly average 8 hr. /days above	500 hr. or 2 months	600 hr. or 2.5 months	700 hr. or 3 months	<ul style="list-style-type: none"> • For reference only. The affection of workplace and environmental elements also should be considered.
Monthly average 2 hr. /days above	300 hr. or 1.5months	400 hr. or 2 months	500 hr. or 2.5 months	<ul style="list-style-type: none"> • For reference only. The affection of workplace and environmental elements also should be considered.
Monthly average 8 hr. /days below or only use occasionally	100 hr. or 1 month	200 hr. or 1.5 months	300 hr. or 2months	<ul style="list-style-type: none"> • For reference only. The affection of workplace and environmental elements should be considered.
Left unused for long time	Once every 2 months	Once every 3 months	Once every 4 months	<ul style="list-style-type: none"> • If the machine is left unused for long time. It will lead to oil deterioration by oxidation, or even causes internal components rusted. • If the machine needs to be used after long-term unused status, please check the internal components and change the oil. If the internal components are rusty, please do not use it and then return to the manufacturer.

Table 2 : 【Oil selection】

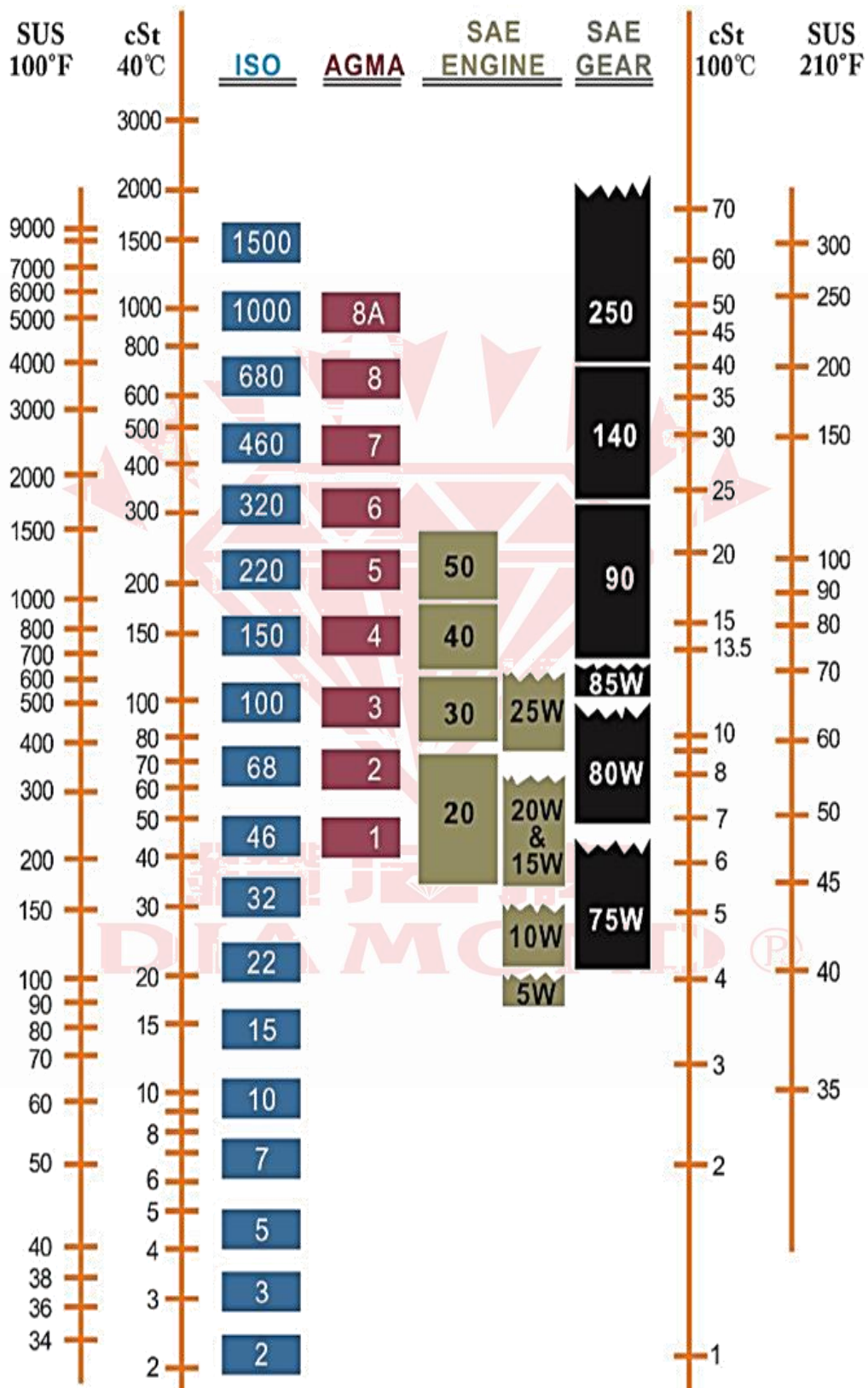
Please select the oil with adequate viscosity according to workplace environment in order to have best lubricity and protection.

Maintenance




 亞貝加牌
DIA MOND®

Viscosity Classification Equivalents



Maintenance

8. Warranty

These Air Cool Junior 60L Portable Misting Fan are warranted for one full year from date of shipment to the purchaser to be free from any defect in materials and workmanship. This warranty does not cover damages from abuse, failure to properly install, operate or maintain the product in accordance with the printed materials provided.

Listed below is void of the warranty :

- ❖ Any modifications or interventions which are not authorized by the manufacturer.
- ❖ Use contrary to specific normative in force.
- ❖ Use of pump different from those indicated in this manual and/or lack of regular maintenance.
- ❖ Result from the malfunction or improper use of customer due to force majeure caused by the incident.
- ❖ Any parts or labor to repair or adjust any system that the customer has installed themselves or by a third party other than an authorized installer.
- ❖ Use of non-original or not specified parts for the pump.
- ❖ The damages caused by natural disasters, faulty usages or consumable purposes.
- ❖ Seal, bearing, valve, connecting rod kits for pumps.
- ❖ Pump crankcase oil or other lubricants.
- ❖ Manufacturer shall not be liable for any further loss, damages or expenses, including incidental or consequential damages, directly or indirectly arising from the sale or use of this product.
- ❖ This warranty does not cover repair or replacement of any item that should be replaced or maintained under normal operating and maintenance practices within the stated warranty period of one year.

➤ **All products subject to the warranty shall be returned TANONG via local distributor.** ◀



鑽石牌
DIAMOND®

Quality Assurance Certificate

Name : **Portable Misting Fan**

Model : **Air-cool-Junior**

Serial Number :

Date of purchase : 年 月 日

1. This product is made through strict quality management and inspection process.
2. When there is an abnormality in this product, free after-sales service can be obtained within 1 year after installation.
3. Even if the quality guarantee period is not exceeded, the following items will still be charged for the service (repair fee + parts fee + travel fee, etc.)
 - Failure caused by improper maintenance and repair.
 - Natural disasters (fire, flood and others).
 - Failure or damage caused by falling, etc. after installation.
 - The life of the part itself is exhausted (filter, etc.)
 - Unspecified matters, as stated in the warranty terms.
4. This warranty must be presented when repairs are required.

Service Application

1. Before contacting, please reconfirm the usage method in the instruction manual and the inspection items at the time of failure.
2. If the abnormality still exists after confirmation, please stop using it and consult the sales office or the company.



Qualification chapter : _____

Quality assurance supervisor : _____

NOTE :



鑽石牌
DIAMOND®

Follow us on



掃描QR CODE，了解更多!

This manual may not be reproduced in whole or in part in any form without the prior written permission (except for simple quotes in review articles or comments)



大農精密科技股份有限公司
TANONG PRECISION TECHNOLOGY CO., LTD.

台中市大雅區鳳鳴路6號

TEL:+886-4-25662106

FAX:+886-4-25662109

網址:www.tanong.com.tw

E-mail: info@tanong.com.tw

In this manual, we reserve the right to change all rights to change and change without notice.